

Lullaby Ceiling Rangehood 120cm



Model Number

Aspirating (Duct-out):

Natural: LULLABY WOOD/A/120

Recirculating (Filtered):

LULLABY WOOD/F/120**

Features

Natural oak + White soft touch effect or
White lacquered wood + stainless steel

3 speed + 2B remote control

800 m³/h booster airflow

Included Accessories

Aspirating (Duct-out):

Aluminium grease filter

Remote control

Recirculating (Filtered):

Aluminium grease filter

Remote control

** Special Order version with extended lead time



Set of 6 Ceramic filters (FCB0132356D)

Lighting

LED Panel 28 W

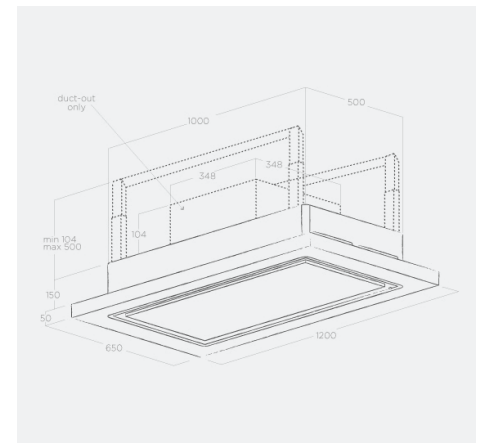
Max noise level

Ducted: 53 db(A) / Recirc: 64 db(A)

Optional Accessories

Timber shelf (KIT0147858)

Pendant lighting (KIT0147863)



Power Connection

Hard wired

Adjustable Lighting

The 28-watt full LED panel makes it possible to adapt the Lullaby's lighting to other lights in your kitchen, adjusting the brightness and temperature to achieve the perfect atmosphere at all times.