

# Open Suite Canopy Rangehood 80/160cm



## Model Number

80cm: OS BL MAT/F/80\*\*

160cm: OS BL MAT/F/160\*\*

## Features

WiFi Integrated

750 m<sup>3</sup>/h Booster airflow

Matt black finish

Electronic push button: 3 Speed + 2 Boost

Regenerating installation

Connects with Elica Connect App and can be connected with Amazon Alexa and Google Home for voice control functionality

## Max noise level

64-69 db(A)

## Lighting

LED Panel 1x14W 2700K-5200K

## Installation

Hardwired

## Included Accessories

Regenerating Charcoal Filter

Aluminium Grease Filter

Glass shelves (1 in 80cm, 2 in 160cm)

## Optional Accessories

Additional Shelving: Shelf Surround (KIT0166768) + Desired shelf material from below options:

+ Clear Glass (KIT0166455)

+ Tinted Glass (KIT0166463)

+ Mesh (KIT0166472)

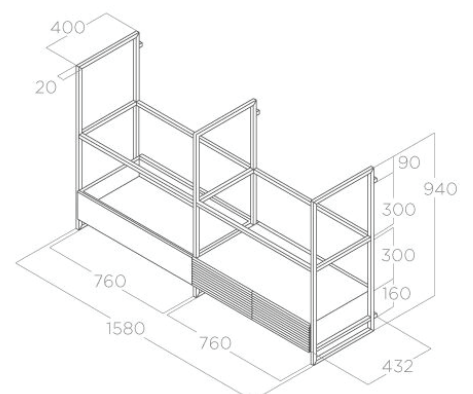
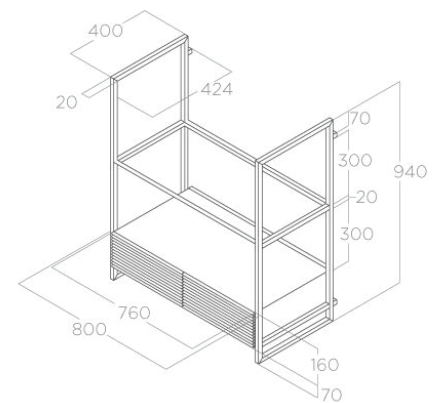
+ Timber (KIT0166475)

+ Solid Metal (KIT0166470)

Additional Lightbox Module (KIT0166964)

Additional Rangehood Module (KIT0167073)

Additional side frame piece (KIT0166963)



\*\* Special Order with extended lead time