

Seashell Island Rangehood 80cm



Matt White

Model Number

Gloss White: SEASHELL WH/F/80

Inox: SEASHELL IX/F/80

Matt Black: SEASHELL BL/F/80**

Matt White: SEASHELL WH/MAT/F/80**

Features

3 speed + B remote control

800 m³/h booster airflow

Aluminium grease filter

Neon 4X24w lighting

Max noise level: 67 db(A)

Included Accessories

Long life filter (CFC0038699)

Remote control (KIT0121468)

Optional Accessories

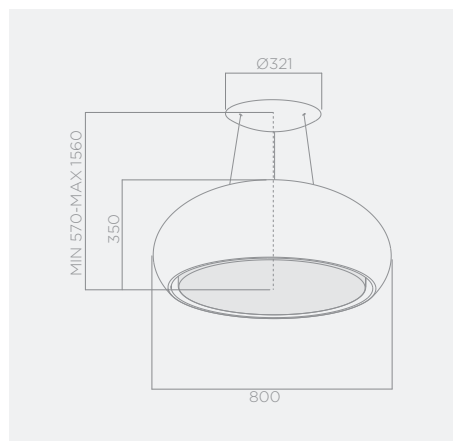
Extension cable kit 2.5m (KIT0067590)

Power Connection

Hard wired



Inox



** Special Order version with extended lead time